

ACB SERIES



Counting Scale

ACB Series has a capacity that ranges from 30kg to 250kg, with 1/600,000 (internal) and 1/15,000 (external) resolution. ACB has various uses within manufacturing, packing, farming industries and tool shops. Additionally, the ACB series has a large memory space for storing items. It is capable of connecting to ticket/label printers or a personal computer through RS-232C interface.

- 200 Memory space
- Ticket / Label printer (optional)
- Large LCD display
- Check-weight / Count with beep sounds



ACB SERIES | Counting Scale



SPECIFICATIONS

Model	ACB Series			
Max. Capacity (kg)	30	75	150	250
Readability (g)	2	5	10	20
External Resolution	1/15,000			1/12,500
Internal Resolution	1/600,000			
Display Type	LCD display (backlight)			
Display Digits	6/6/6 (weight/unit weight/count)			
Weight Units	kg, g, lb			
Operation Temp.	0°C ~ 40°C			
Power	AC adapter DC 12V / 850mA , Rechargeable battery (6V,5Ah)			
Battery Life	100hrs continuous use with 12 hrs charging time (Backlight off)			
Platform Size (mm)	400 (W) × 500 (D)			
Dimensions (mm)	500(W) × 720(D) × 760(H)			
Product Weight (kg)	16.5			

FEATURES

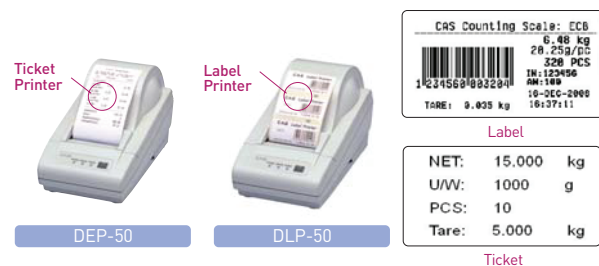
- 1/15,000 External resolution , 1/600,000 Internal resolution for accurate counting
- Check-weight / count function with beep sounds
- Embossed key pad
- Auto power-off function
- Ticket / Label printing via RS-232C interface
- Rechargeable battery (included)
- Auto zero tracking
- AC adapter (included)

High resolution for accurate counting

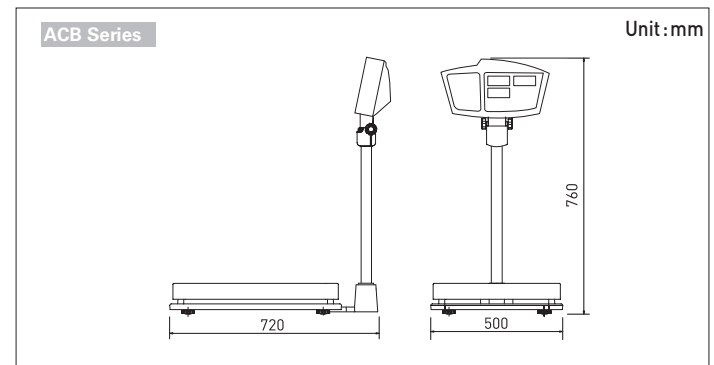
1/600,000 internal and 1 /15,000 external resolution are enhanced for more accurate counting. ACB counting scale is engineered for precise and high speed operation applications.

Various outputs

ACB is capable of connecting with Ticket / Label printers or personal computers through RS-232C interface. Also, CAS provides the label format edit program for various applications.



DIMENSIONS



UNIT 8, NORTHLINK, 459 TUFNELL ROAD
BANYO QLD 4014, AUSTRALIA
TEL : +61 7 3267 7767 FAX : +61 7 3267 1818
EMAIL : sales@cassscale.com.au
www.cassscale.com.au

Specifications are subject to change for improvement without prior notice.