

ANALYTICAL BALANCE

CAU / CA / CU / CBL / CBX SERIES

CAS Electronic Balances provide high stability, high durability and quick results for the operator. Balances come equipped with a monolithic sensor, which allows the balance to be use in various environments.

- Quick response rate
- Equal distribution of heat with the monolithic sensor
- High durability against shock



CAU



CA



CU



CBL



CBX

CAS

CU SERIES

CUW/CUX series | Top-loading balances



▲ Large Pan

▲ Small Pan

FEATURES

- LCD Backlight
- Internal Calibration
- Clock-CAL (CUX)
- Windows Direct
- Perfect self calibration (CUW)

OPTIONS

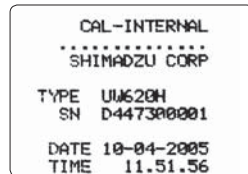
- Battery Charger Pack

Built-in Clock (GLP/GMP/ISO 9000 Conformity)

- GLP/GMP/ISO9000 standard, record calibration with time and date.



Clock display on standby mode



Calibration record paper

Analog bar graph display

- Analog indication function: The bar graph changes depending on the weight.

FULL RANGE

Total weight can be indicated with a bar graph, and the operator can compare it with the balance capacity.



FULL-IN

Target weight will be displayed, simply pre-set the desired weight.



Check weight (HI/GO/LO)

- By setting the weight range, the display shows 'GO' for a weight within the set range, 'LO' for below and 'HI' for above the range.



CUW



CUX



CUW series				
Model	Pan Type	Max. Capacity	Readability	Pan size (mm) approx.
CUW420H*	Small Pan	200g	0.001g	108(W) x 105(D)
CUW420H*		420g		
CUW620H*		620g		
CUW2200H	Large Pan	2200g	0.01g	170(W) x 180(D)
CUW4200H		4200g		
CUW6200H		6200g		
CUW420S	Small Pan	420g	0.01g	108(W) x 105(D)
CUW820S		820g		
CUW4200S	Large Pan	4200g	0.1g	170(W) x 180(D)
CUW8200S		6200g		

CUX series				
Model	Pan Type	Max. Capacity	Readability	Pan size (mm) approx.
CUX220H*	Small Pan	200g	0.001g	108(W) x 105(D)
CUX420H*		420g		
CUX620H*		620g		
CUX2200H	Large Pan	2200g	0.01g	170(W) x 180(D)
CUX4200H		4200g		
CUX6200H		6200g		
CUX420S	Small Pan	420g	0.01g	108(W) x 105(D)
CUX820S		820g		
CUX4200S	Large Pan	4200g	0.1g	170(W) x 180(D)
CUX8200S		6200g		

For products with '*' mark, windbreak is a basic option.

CAU SERIES & CA SERIES

CAUW/CAUX/CAUY series | Analytical balances



CAU series			
Model	Max. Capacity	Readability	Pan size (mm)
CAUW-D	200g / 82g	0.1mg / 0.01mg	ø 80
	120g / 42g	0.1mg / 0.01mg	ø 80
CAUW	320g	0.1mg	ø 80
	220g	0.1mg	ø 80
	120g	0.1mg	ø 80
CAUX	320g	0.1mg	ø 80
	220g	0.1mg	ø 80
	120g	0.1mg	ø 80
CAUY	220g	0.1mg	ø 80
	120g	0.1mg	ø 80

FEATURES

- Windows Direct
- Backlight/Clock-CAL (CAUW)
- Perfect self calibration (CAUW, CAUX)
- Calibration report (CAUW, CAUX)

OPTIONS

- Specific gravity measurement kit
- Ionizer (Static remover "Stable-ex")
- Charging battery pack

CAW/CAX/CAY series | Analytical balances



CA series			
Model	Max. Capacity	Readability	Pan size (mm)
CAW	120g	0.1mg	ø 80
	220g	0.1mg	ø 80
	320g	0.1mg	ø 80
CAX	120g	0.1mg	ø 80
	200g	0.1mg	ø 80
CAY	120g	0.1mg	ø 80
	220g	0.1mg	ø 80

FEATURES

- Unit conversion
- Specific gravity measurement
- Clock-CAL (CAW)
- Perfect self calibration (CAW)
- Windows Direct
- Full digital
- Internal calibration

OPTIONS

- Specific gravity measurement kit
- Charging battery pack

CBX SERIES & CBL SERIES

CBX series | Precision platform balances



CBX       

CBX series			
Model	Max. Capacity	Readability	Pan size (mm)
CBX12KH	12kg	0.1g	345(W) x 250(D)
CBX12KH	22kg		
CBX12KH	32kg		

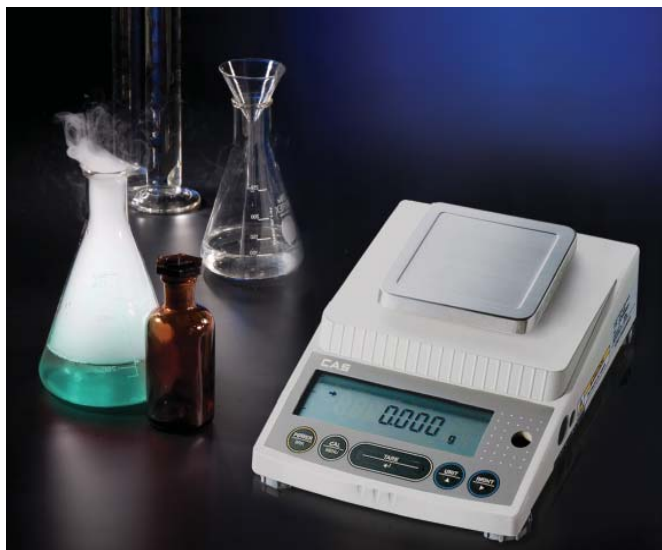
FEATURES

- Windows Direct
- Check weighing (HI/GO/LO)
- Built-in RS-232C interface
- Calibration report
- Counting pieces

OPTIONS

- Specific gravity measurement kit
- Charging battery pack

CBL series | Top-loading balances



CBL  

CBL series			
Model	Max. Capacity	Readability	Pan size (mm)
CBL220H*	220g	1mg	100(W) x 100(D)
CBL320H*	320g	1mg	100(W) x 100(D)
CBL2200H	2200g	10mg	164(W) x 124(D)
CBL3200H	3200g	10mg	164(W) x 124(D)

FEATURES

- Counting pieces and unit conversion
- Accurate performance and strong durability
- Analog bar graph display

OPTIONS

- Windbreak
- RS-232C interface (IFB-102A)
- Charging battery pack

CBX SERIES & CBL SERIES

Description of Icons



PSC (Perfect Self Calibration)

The balance self-calibrates when it detects temperature changes that would effect accuracy.



Clock-CAL

Fully automated feature initiates self-calibration at set time intervals, using motor-driven internal calibration weight



Internal Calibration

Calibration can be performed any time with a simple push-button operation.



One-lever CAL

Single lever operation loads and unloads built-in Calibration weight.



Analog Bar graph display

Allows viewing of remaining capacity



Interval Timer output

Data can be automatically output at pre-set time intervals



Windows Direct

Weighed result is directly typed at the cursor position of any application on windows OS.
No communication software is required.



Built-in RS-232C interface

RS-232C interface is a standard feature.



Standard Below-weigh Hook

Measurement beneath the balance is possible.



Check weighing

Utilized in quality control application.



Counting pieces

Piece counting function is a standard feature.



Specific Gravity measurement

Software for specific gravity measurement is pre-installed.
Simply add optional specific gravity kit for efficient measurements.



Dry battery operation

Portable for use in the field.



CPPM

Constant Power Pulse width Modulation



Full digital



Built-in Clock

Date and time can be readily supplied by the balance.



All-metal Housing







All metal construction for high durability.



Backlight

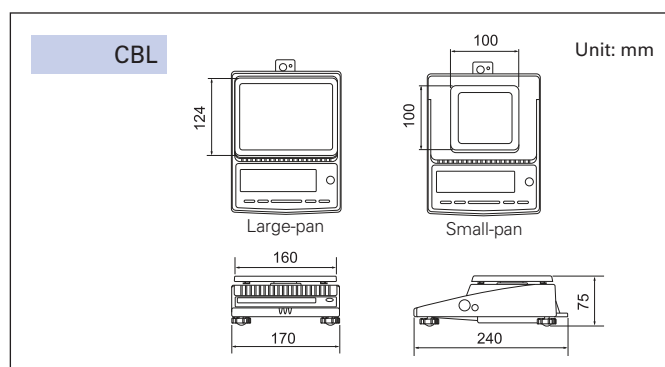
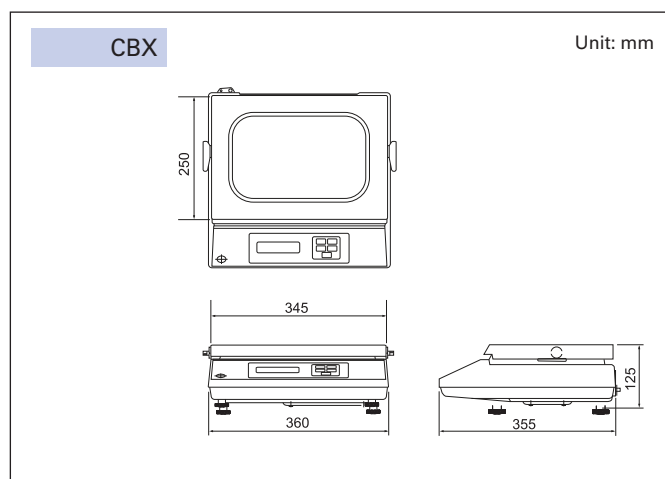
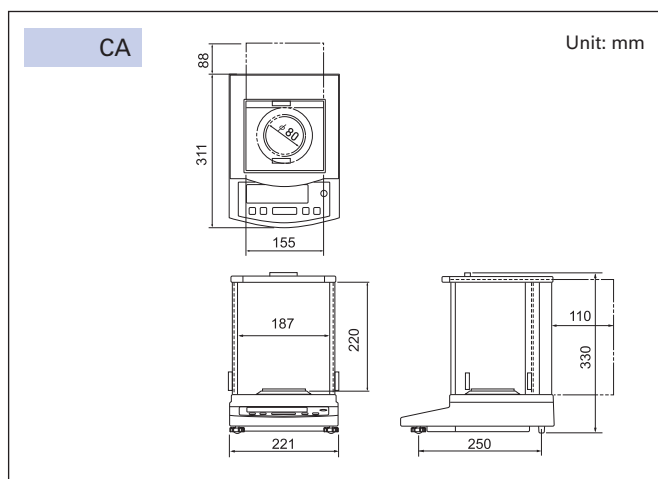
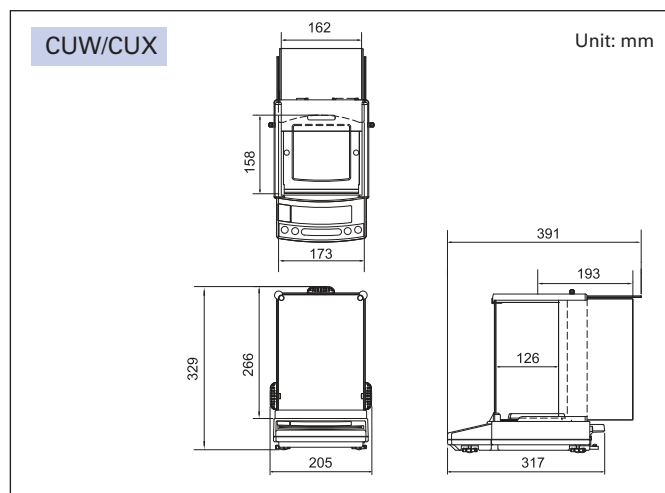
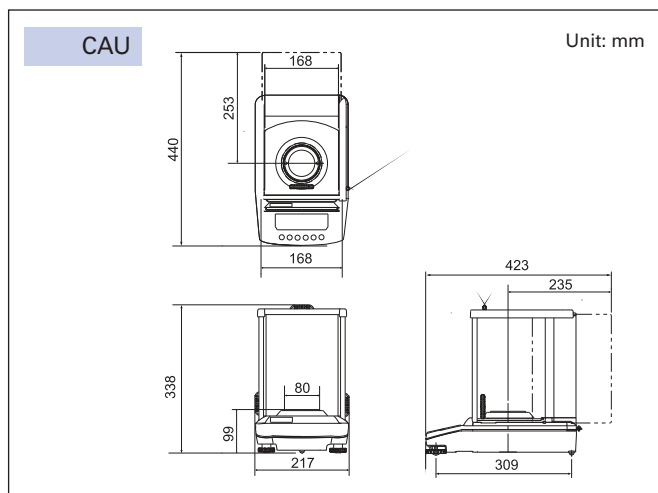
Easy to read in any environment.

Electronic Balance Comparison Table

Model	~ 100g	100g ~	300g ~	500g ~	1kg ~	3kg ~	5kg ~	10kg ~	30kg ~
~ 0.01mg	CAUW-D								
~ 0.1mg		CAUW CAUX CAUY CAX CAY	CAUW CAUX CAW						
~ 0.001g (1mg)		CUW CUX CBL	CUW CUX CBL	CUW CUX					
~ 0.01g (10mg)			CUW CUX	CUW CUW CUX	CUX CBL	CUW CUX CBL	CUW CUX		
~ 0.1g						CUW CUX	CUW CUX	CBX	 CBX

DIMENSIONS

CU / CBX / CBL / CAU / CA series



UNIT 8, NORTHLINK, 459 TUFNELL ROAD
 BANYO QLD 4014, AUSTRALIA
 TEL_ +61 7 3267 7767 FAX_ +61 7 3267 1818
 EMAIL_ sales@casscale.com.au
www.cassscale.com.au

Specifications are subject to change for improvement without prior notice.