



Stainless Steel Tray



Waterproof(IP69k)

FW500 SERIES

Waterproof Scale

FW500 series offers a large stainless steel tray and IP69k waterproof design, which is perfectly protected from high pressure and high temperature washing. The scale is ideal for wet and hygienic circumstances such as fish market, food manufacturing and feeding facilities.



IP69k



FW500 SERIES | Waterproof Scale



SPECIFICATIONS

Model	FW500-C			FW500-E		
Capacity (kg)	3/6	6/15	15/30	3/6	6/15	15/30
Repeatability (g)	1/2	2/5	5/10	1/2	2/5	5/10
Resolution	1/3,000 (Dual Interval)					
Display Type	LCD			LED		
Display	5 digit (height 35mm)			6 digit (height 19mm)		
Status	Stable, Zero, Tare, Unit(kg), BAT					
Key	Zero, Tare, Hold, Power					
Function	Hold, Auto power off					
Power	Dry battery (D size 1.5V x 4ea) 12V/1.5A Adaptor			6V Rechargeable battery 12V/1.5A Adaptor		
Battery Life	Manganese dry battery : About 1,200 hours Alkaline dry battery : About 2,500 hours *for single display			Rechargeable battery : About 100 hours *for single display		
Operation Temperature (°C)	-10 ~ +40					
Tray Size (mm)	247(W) x 212(D)					
Dimension (mm)	266(W) x 303(D) x 109(H)					
Product Weight (kg)	3.0			3.3		

FEATURES

- IP69k (Waterproof)
- Large stainless steel tray
- Fast and accurate weighing operation (1/3,000 [Dual Interval])
- Auto power off
- Bright and large display
- Rear display

OPTIONS

- AC adaptor (Only FW500-C)
- Rear display

IP69k waterproof design

IP69k to withstand high temperature, high pressure waterproof, therefore weighing in wet places is very stable.



Large stainless steel tray

It is large enough to withstand materials and maintain hygienic condition, as well.



High accuracy and fast operation

1/3,000 Dual interval and fast but stable display rate enhance your productivity.

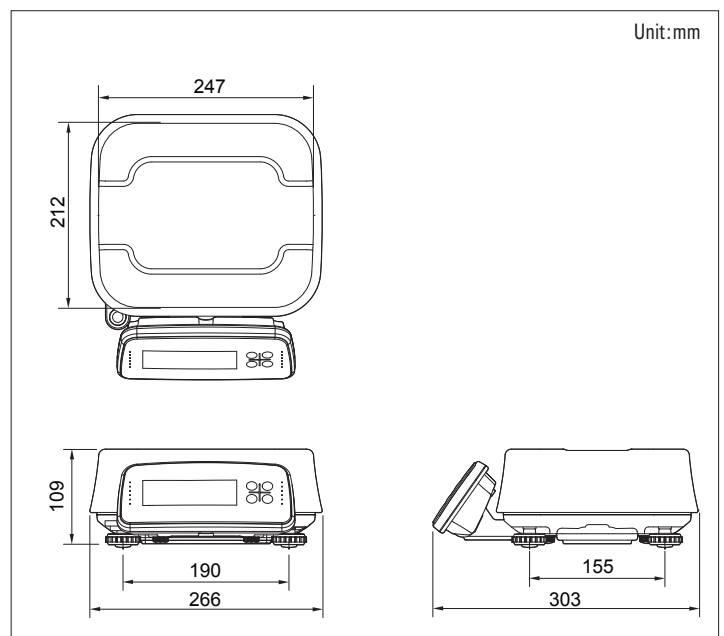


Economical and Convenient

Long-lasting rechargeable battery and auto power-off function are very efficient and easy to use.



DIMENSIONS



CAS

UNIT 8, NORTHLINK, 459 TUFNELL ROAD
BANYO QLD 4014, AUSTRALIA

TEL : +61 (0)7 3267 7767 FAX : +61 (0) 7 32 67 1818

EMAIL : sales@cassscale.com.au

<http://www.cassscale.com.au>

Specifications are subject to change for improvement without prior notice.

C-61703102